

PRE-INSTALLATION

- ⚠ DANGER! ELECTRICAL SHOCK HAZARD.**
*Only qualified personnel who have read and understand this entire manual should attempt to install, or service this **i16 Water Treatment System**, failure to do so could result in death or serious injury. DO NOT plug into an electrical supply until specifically instructed.*
- ⚠ WARNING! ALWAYS SANITIZE BEFORE USE.**
Sanitize before use to eliminate any potential microbiological contaminants.
- ⚠ CAUTION! DRIP TRAY DRAIN.**
If you intend to provide a drip tray drain for your customer, be aware that you will be called multiple times per month to service and unclog the tubing leading away from the drip tray to drain. Users will clog the drain with paper clips, erasers, napkins, tea bags, gum, and various other intended items. Wellsys recommends you establish a minimum of weekly visits to the machine for cleaning of the drip tray drain.

Materials Needed:

- Personal Protective Equipment. Rubber or Nitrile Safety Gloves and Protective Eyewear
 - Phillips Screwdriver
 - Temperature Gage
 - Water Pitcher or Container to collect water from the faucet
 - 5-gallon container or drain basin
 - Sanitizer - Household Bleach (5.25% Sodium Hypochlorite) or Citric Acid Based Cleaner
 - ¼" Plastic Tubing, at least 4 feet in length, and assorted ¼" quick connect fittings
 - TDS Meter and Test Strips for measuring chlorine – Optional
1. Unpack the **Wellsys i16 Water Treatment System** and check exterior for damage.

⚠ CAUTION! FILTER FLUSH REQUIRED.

i16's Water Treatment Systems are not supplied with filters. Filters should be configured to optimize your system. Filters need to be configured and specified to do the job given the local water conditions, usage, maintenance schedule, and placement restrictions. In order for our filters to perform as represented and to provide the best quality water possible, it is essential that filters be replaced periodically. The frequency of filter changes depends upon your water quality and your water usage. For example, if there is a lot of sediment and/or particles in your water, then you will have to change your filters more frequently than a location with little to no sediment. Be sure to replace your filters whenever you notice a decline in the performance, whether it is a drop in flow rate and/or pressure or an unusual taste in the water.

2. Flush thoroughly per filter manufacturers' recommendation with fresh water to drain. More details provided in the Installation section further down.
3. Once flushed, install the filters. Following the flow direction on the filter.
NOTE: Filters should not be flushed prior to 24 hours before installation to limit Microbial Growth.

NOTES ON INSTALLATION

1. Do not install the product at the following locations:
 - Near Fires
 - Near Flammables
 - In Humid Places
 - In front of air conditioners
 - Where exposure to rain or snow is possible
 - Outdoors or in direct sunlight
 - Near chemicals (volatile materials, organic solvents, etc.)
 - Near toilets
 - Anywhere the temperature may fall below 50°F.
2. Use source water within following quality range:
 - Water pressure: 1-7kgf/cm² (98-686 kPa)(14-99.6psi)
 - Water temperature: 39-100°F (4-38°C)
 - Turbidity: 0.5 NTU or less
 - pH: 5.8-8.5
 - Hardness: 300ppm or less
 - Water Quality: Water quality meeting the Drinking Water Quality standard

*Please consult your distributor if source water quality is out of the specified range.

*The warranty will be void if the product is connected to source water that is out of the specified range.

*This product is not equipped with internal filtration. It is intended to be connected only to a potable water source.

3. When transporting the product, do not tilt it more than 45° from vertical.
 - *Severe tilting can cause a performance degradation.
4. Install the product on a flat surface and adjust the level of the unit using a level gauge.
 - *If the product is tilted more than 3°, overflow may occur.
5. Source water should not be above 100°F (38°C)
 - *Hot water may cause performance degradation or system failure.
6. Keep the sides and rear of the unit at least 5 inches (127mm) away from walls or other objects for ventilation.
7. Do not bend the source water hose or place heavy objects on it.
 - *If it is blocked, the water will not flow smoothly to the unit, and may cause performance degradation.
8. Do not place any heating system near the rear of the unit.
9. The power supply and source water must be directly connected to the unit.

INSTALLATION

It is very important to follow all instruction listed. Failure to do so may cause the system to not operate properly and may impact the long-term reliability of the system. [DO NOT turn on the Hot Water switch at back of unit until the Hot Water tank has been primed with water.](#)



1. Check incoming water pressure and ensure it is between 60-70PSI. If the water pressure is above 70PSI then a pressure reducing valve must be installed and set to lower the pressure to the optimal water pressure between 60-70PSI.
 - A. Failure to follow this step may have a negative impact on the reliability of the system and may cause it to fail prematurely.
 - B. Failure to follow this step may also affect the taste of the ice and water along with the replenishment rate of the ice.
 - C. Failure to follow this step may also impact the life of the filters in a negative way
 - D. Failure to follow this step may also cause a leak or similar failure.

2. Flush the filters.
 - A. Remove the filter enclosure from the box and visually inspect all fitting. Notice that the RO membrane is not connected. It is shipped this way to ensure the preservatives remain inside the filter to protect the membrane.
 - B. Flush the Pre-Sediment and Pre-Carbon filters for 5 minutes. Connect the source line into the input of the Pre-Sediment and a drain to the output of the Pre-Carbon.
 - C. Turn the water on for 5 minutes then turn the water off. Remove the source and drain and reconnect the pre-existing connections.
 - D. Flush the Bio Sure Plus Filter for 5 minutes. Connect the source line into the input of the Bio Sure Plus filter.
 - E. Connect the drain into the output of the Bio Sure Plus filter. Turn the water on for 5 minutes and then turn the water off.
 - F. Remove the source and drain and reconnect the pre-existing connections.
 - G. Reverse Flush the TCR Carbon Post Filter. Connect the source line into the output of the TCR filter. Connect the drain into the input of the TCR Filter.
 - H. Turn the water on for 5 minutes and then turn the water off. Remove the source and drain and reconnect the pre-existing connections.
 - I. Flush all 5 filters together. Connect the loose fittings to the RO

3. Connect the drain to the outside stem fitting.

4. Connect the product to the center stem fitting.

5. Connect the inline water coming from the Pre-Carbon through the ASO into the input.
 - A. Connect the source line to the source on the outside of the filter box.
 - B. Connect the drain to the drain on the outside of the filter box.
 - C. Connect the secondary drain to the top of the TCR.

- D. Turn the water on for 30 minutes or longer.
- 6. With the 60PSI going into the system after 30 minutes, the TDS of the water should be reduced approximately 98% after the RO membrane vs. the incoming tap TDS.
- 7. The TDS after the TCR Filter should only be 5-8 points higher
 - A. As the system is flushing during each step, inspect for any leaks and/or loose connections.
- 8. Sanitize the Ice Bin and Water Reservoir (Full Sanitizing Guide on page 37)
 - A. Remove the top lid by removing two screws on the back side of the top panel.
 - B. Remove the top panel.
 - C. Remove the front panel by removing two screws found behind the drip tray.
 - D. Remove the ice and water spigots.
 - E. Slide the front panel off.
 - F. Remove the screws to be able to access the ice tank.
 - G. Remove the lid to the ice tank with the insulation included.
 - H. Remove the stainless-steel augers and the plastic bottom to the ice tank.
 - I. Spray the inside of the tank with hydrogen peroxide and wipe out with a clean paper towel.
 - J. Hydrogen peroxide should be approximately a 20% hydrogen peroxide to 80% water blend.
 - K. Spray the plastic bottom with the same blend along with the stainless-steel augers.
 - L. Reinstall the plastic bottom and the augers.
 - M. Do one more light spray of hydrogen peroxide and put the top back on along with the insulation and screws.
 - N. Remove the lid to the water reservoir.
 - O. Spray the inside of the reservoir in the same way and wipe out.
 - P. Spray a light mist and then put the lid to the reservoir back on.
 - Q. Reinstall the front panel and the top panel.
- 9. Connecting the Filters to the i16 (a 3-4 gallon bladder tank must be used as well).
 - A. Mount the filter enclosure under the sink.
 - B. Attach the supply line to the water supply input on the filter enclosure.
 - C. Attach the RO drain line to the RO drain connection on the filter enclosure.
 - D. Connect the feed line from the filter enclosure to a tee.
 - E. Connect the tee to the bladder tank and the other end to the i16 supply line.
- 10. Ensure that the pressure of the bladder meets the manufacturers recommended pressure before allowing it to fill.
 - A. Listen for the compressor and the auger running.
 - B. Wait about 30-60 minutes for ice to be used after it starts making ice.
 - C. You must wait until the hot tank completely fills before turning on the hot water switch, which is located on the back of the system behind the caution sticker (lower right side).

11. Prime the Hot Tank by dispensing hot water from the front of the unit until water begins to flow. Once complete, turn on the red Hot Tank switch on the back of the machine. This will enable the heating process for Hot Water feature.

*In the event that the hot water switch is turned on BEFORE the hot tank is primed, it is likely that a “dry heat” event will occur. The hot tank, empty of water, will begin to heat rapidly and trip the overload thermostat on the hot tank. This overload will have to be manually reset for the hot tank to operate correctly. The overload thermostat is located ON the hot tank itself, and the red reset button must be pressed to manually reset and restore operation to the hot tank.



12. This system can be installed into two different installation environments: (1) Non-Drainable area & (2) Drainable area

*The default setting is for Non-Drainable Area with the Drain Switch OFF. (Non-Drainable Area)

1) Non-Drainable Area: As default setting, check that the END PLUG, located at the rear of the system, is properly plugged to drain tube (black tubing), and make sure the drain switch is in the OFF state:

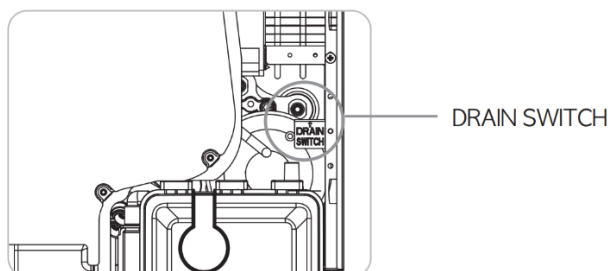
2) Drainable Area: Remove the End Plug blocking the drain tube (black), connect the drain tube to a drain, then turn on the source water. Remove the Top Cover and turn the Drain Switch ON.

*Please secure the drain tubing to prevent any dislodgement during the drainage.

Note: To ensure reliability and the highest performance, only genuine Wellsys filters should be used and must be changed on time. Please reference below for the filter change schedule.

1. Pre-Sediment Filter	1 year or 2500 gallons max
2. Pre-Carbon Filter	1 year or 2500 gallons max
3. Reverse Osmosis Membrane	3 years or 4500 gallons max
4. BIO-Sure Plus	1 year or 750 gallons
5. TCR	2 years or 2500 gallons
6. Air Filter	2 years in office environment

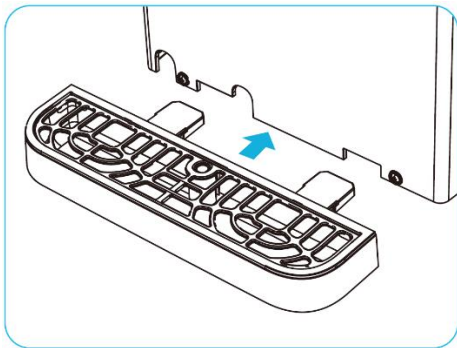
Filter schedule is only estimate and does not guarantee the life will last to this length of time. Many factors may impact the life of each filter including but not limited to poor water quality, low pressure, incorrectly installation, and neglect.



How to Assemble the Water Tray

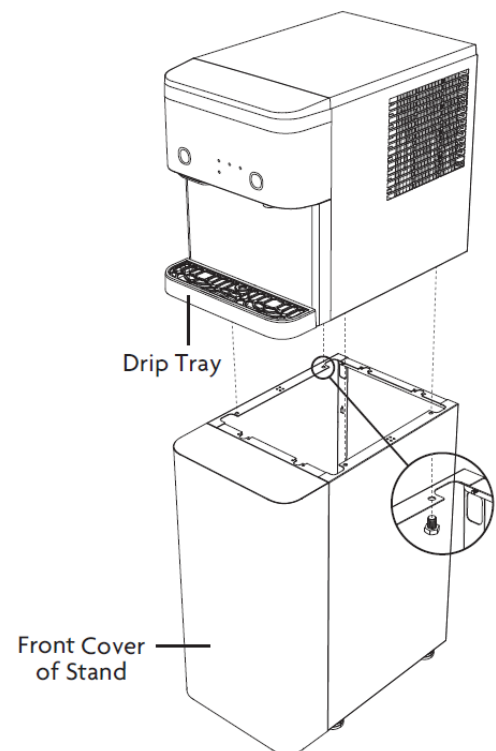
Push the water tray onto the unit until you hear a “click” sound.

*This machine has an audible “beep” indicator when the water or ice is dispensed. To turn off the “beep” sound, simultaneously press and hold for 5 seconds both the HOT WATER and AMBIENT WATER select buttons until all LED indicators flash 5 times. To enable the “beep,” repeat the same process.



Stand Fastening

1. Remove the Drip Tray of unit and the Front Cover of Stand.
2. After placing the unit on the Stand, place your hand behind the Stand to secure the M6 hex bolts (x4).
*After tightening, ensure it is stable and there is no danger of tipping or falling.
3. Once fixed, return the Drip Tray of unit and the Front Cover of Stand.



Bracket Fastening

1. Place the bracket on the wall at the installation site and mark the positions (x2).
**There is only one bracket that could be fixed on the top or bottom side of the Stand.*
2. Drill two holes in the marked position to fix the bracket to the wall.
3. Ensure the unit is fixed with the wall-mounted bracket, so that the unit does not fall if pushed.

