

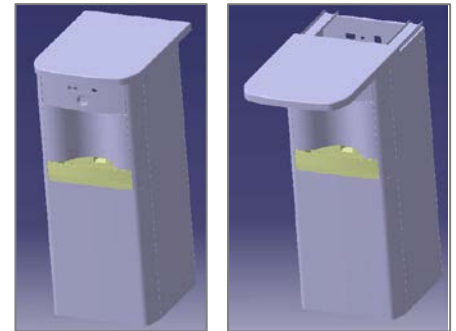
ASSEMBLING SINGLE RC-1 REFRESH CENTER

Sliding Top and the Filter needs to be installed prior to connecting the unit to water.

Installing Sliding Top

The Sliding Top installs onto the rails on the top of the unit much like a draw would install into a desk or piece of furniture.

1. Align Rails on the machine into the grooves on the underside of the top. Slide the Top toward the rear of the unit until you hear it “click” into place.



2. Once the Top is installed and slid all the way to the rear of the machine, engage the lock on the back to secure the top into place.



Removing Sliding Top

1. Unlock the Top, insert screwdriver as shown, to spring the lock open.



2. Reverse steps for installing the Top, as shown.



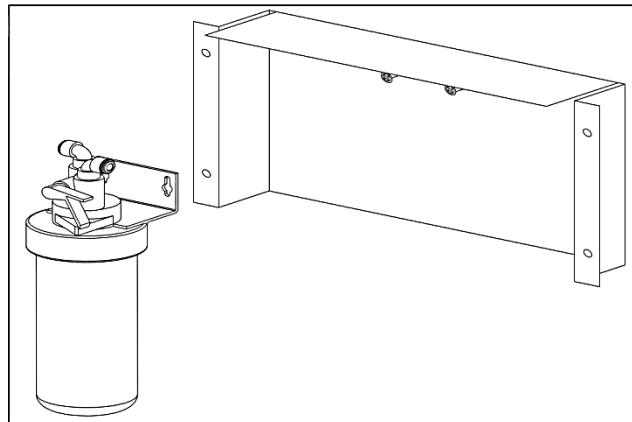
Installing the Filter Head

A Filter Head will need to be installed in the Refresh Center. The Filter Head was supplied to you via a separate package from **Waterlogic**. To install the Filter Head, you will need to remove the Lower Front Panel that is located under the Drip Tray of the machine. For UL certification purposes, this lower door is secured via 2 screws located on the underside of the unit. UL requires all areas of access to wiring and high voltage components to be protected such that access requires the use of a tool. When you install the Refresh Center in a customer location, be sure that these screws are re-installed to ensure no one inadvertently gains access to the internals (compressor) and associated wiring.

1. To remove the Lower Panel, lean the unit back and remove the two Philips-head screws on the bottom. Once the screws are removed, bring the unit back to the upright position, and press in one of the detents in the bottom of the panel and remove.



2. Once the Lower Front Door is removed, the Filter Head needs to be installed on the filter plate, as shown in the figure below. Make sure you connect the Tubing to the Fittings in the Filter Head prior to actually mounting the head on the screws provided on the Filter Plate. This will minimize the chances for kinking the water tubes.



Once the Filter Head is installed and piped, install a PRE-RINSED filter into the head, connect a water supply, power the unit, and check for leaks. DO NOT turn on the Red Power switch on the back of the unit until the tanks are filled with water.

3. To fill the Hot and Cold Tanks, depress the Water Dispensing Button until water flows from the Faucet (requires about 60 seconds to fill the cold tank). Once the Cold Tank is filled, briefly depress the Hot Water Selection Button, notice that the center LED changes from green to red, then press the Dispensing Button until water flows from the Faucet indicating that the Hot Tank is full.

Note: When the Hot Water Selection button is pressed and the center LED lights red, you have 2 seconds to begin dispensing water. If water is not dispensed within 2 seconds, the center LED will revert to green (default dispense) and cold water automatically will be selected.

4. Once both the Hot and Cold Tanks are filled, turn the Red Power Switch on (I=ON) the back panel of the unit.



ASSEMBLING DOUBLE RC-2 REFRESH CENTER

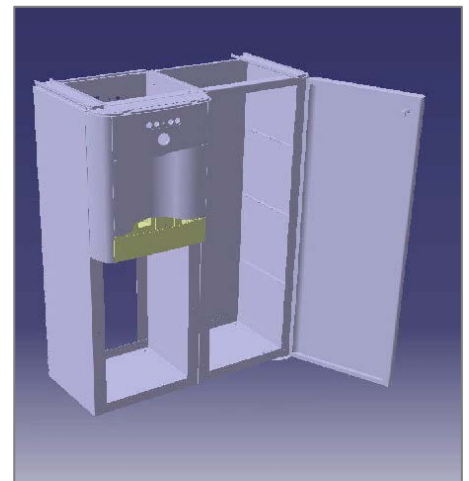
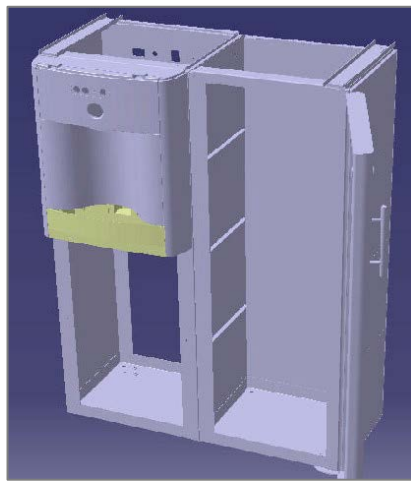
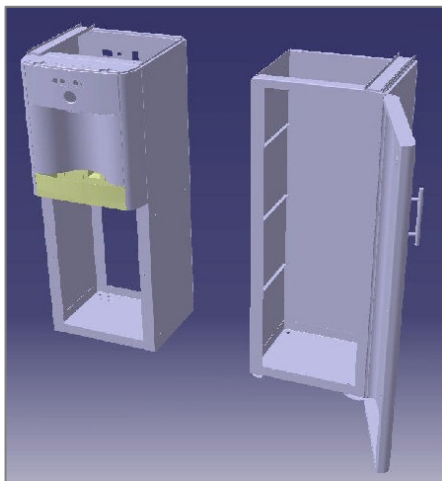
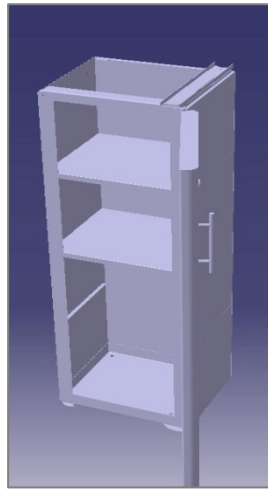
Once the cabinet is bolted to the cooler, the Sliding Top and the Filter needs to be installed prior to connecting the unit to water.

Mounting the Cabinet

1. Inside the Cabinet, locate the Hardware bag and Keys.
2. To remove the Lower Panel, lean the unit back and remove the two Philips-heads screws on the bottom. Once the screws are removed, bring the unit back to the upright position, and press in one of the detents in the bottom of the Panel and remove.



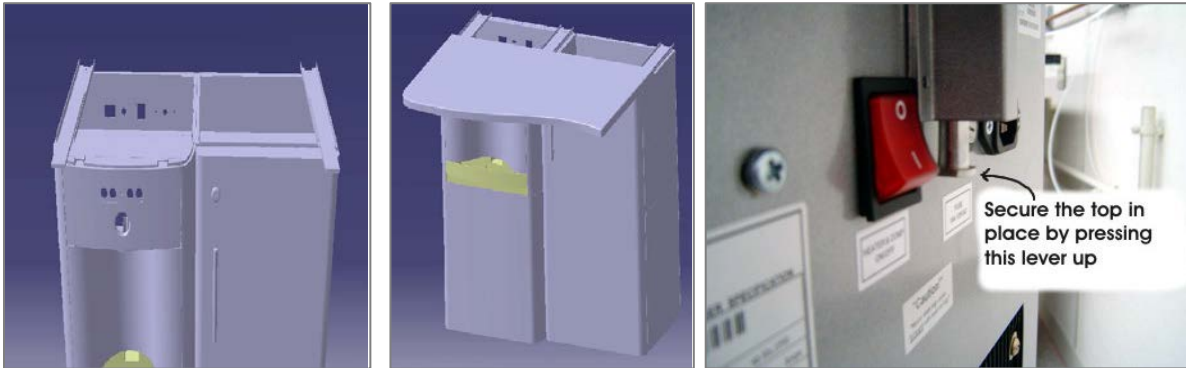
- Using the hardware supplied, bolt the cabinet to the cooler. Six total bolts, washers and nuts are needed for this step, however, mounting of the back-middle bolt and nut can be omitted due to access, if desired.



Installing the Sliding Top

The sliding top installs onto the rails on the top of the unit much like a draw would install into a desk or piece of furniture.

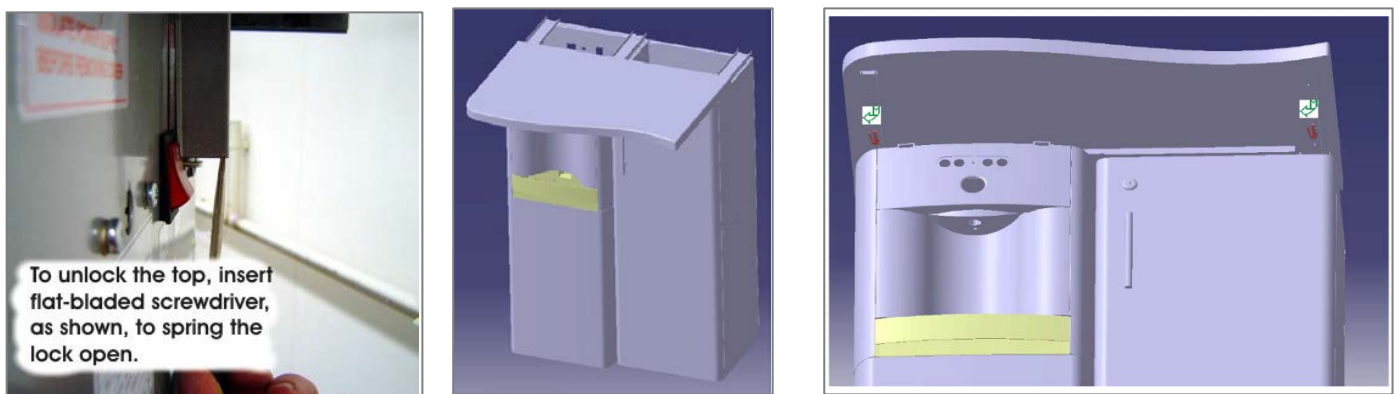
1. Align rails on the machine into the grooves on the underside of the top. Slide the top toward the rear of the unit until you hear it “click” into place.



2. Once the top is installed and slid all of the way to the rear of the machine, engage the lock on the back to secure the top in place.

Removing Sliding Top

1. To unlock the top, insert screwdriver as shown to spring the lock open.



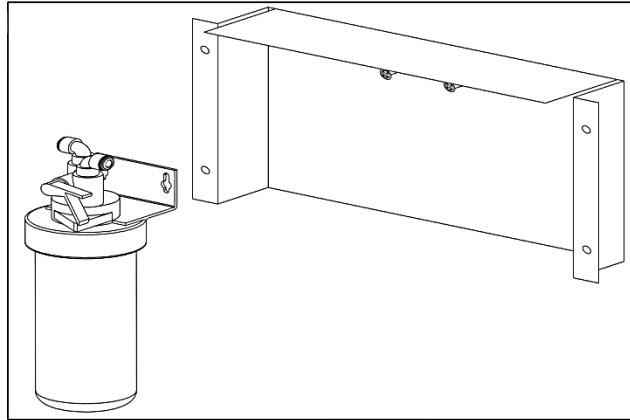
Installing the Filter Head

A Filter Head will need to be installed in the Refresh Center. The Filter Head was supplied to you via a separate package from **Waterlogic**. To install the Filter Head, remove the Lower Front Panel that is located under the Drip Tray of the **Aramark Refresh Center**. For UL certification purposes, this Lower Door is secured with 2 screws located on the underside of the **Aramark Refresh Center**. UL requires all areas of access to wiring and high voltage components to be protected such that access requires the use of a tool. When you install the **Aramark Refresh Center** in a customer location, be sure that these screws are re-installed to ensure no one inadvertently gains access to the internals (compressor) and associated wiring.

1. To remove the Lower Panel, lean the **Aramark Refresh Centers** unit back and remove the two Philips-head screws on the bottom. Once the screws are removed, bring the unit back to the upright position, and press in one of the detents in the bottom of the panel and remove. Note that the Lower Panel on the **Aramark Refresh Center** unlocks.



2. Once the Lower Front door is removed, the Filter Head needs to be installed on the filter support plate, as shown in the figure below. Connect the tubing to the fittings in the head prior to actually mounting the head on the screws provided on the filter plate. This will minimize the chances for kinking the water tubes.



Once the Filter Head is installed and piped, install a PRE-RINSED Filter into the Filter Head, connect to a water supply, power the *Aramark Countertop or Refresh Center*. Check for Leaks. Keep the Red Power Switch OFF (O=OFF) on the back of the unit until the tanks are filled with water.



3. To fill the Hot and Cold Tanks, Depress the Dispensing Button until water flows from the faucet (requires about 60 seconds to fill the Cold Tank). Once the Cold Tank is filled, momentarily depress the Hot Selection Button, notice the center LED changes from green to red, then press the Dispensing Button until water flows from the Faucet indicating the hot tank is full.

Note: When the Hot Selection Button is pressed and the center LED lights red, you have 2 seconds to begin dispensing water. If water is not dispensed within 2 seconds, the center LED will revert to green (default dispense) and cold water automatically will be selected.

4. Once the Hot and Cold Tanks are filled, turn on the Red Power Switch I=ON located on the Back Panel of the *Aramark Countertop or Refresh Center*.

